

**2019**  
**MANUAL**  
**RETROEXCAVADORA**



TODO   
REFACCIONES



COMEDIMA DE PARTES  
Y MAQUINARIA, S.A. DE C.V.

## ACERCA DE NOSOTROS



COMEDIMA DE PARTES  
Y MAQUINARIA, S.A. DE C.V.

### HISTORÍA

COMEDIMA DE PARTES Y MAQUINARIA, S.A. DE C.V., es una empresa mexicana con 10 años de experiencia en el mercado mexicano en la distribución de refacciones equivalentes para maquinaria pesada de construcción y minería, ofreciendo una dinámica efectiva para la rapidez en los tiempos de entrega a sus consumidores, con una amplia especialidad en refacciones de desgaste.

### MISIÓN

Comercializar refacciones equivalentes para maquinaria pesada de construcción y minería ofreciendo productos de calidad con precios competitivos a través de un servicio eficiente por personal capacitado y comprometido para satisfacer las necesidades de nuestros clientes.

### VISIÓN

Ser líder en el mercado nacional en venta de refacciones equivalentes a través de un centro de distribución en San Luis Potosí, ofreciendo productos de calidad para la industria de la construcción y minería.

### OBJETIVOS

- Consolidarnos como una empresa líder en la distribución de refacciones equivalentes.
- Dar el servicio de más alta calidad y eficiencia al menor costo.
- Ofrecer soluciones buscando siempre el beneficio del cliente respaldados por la calidad de los productos de nuestros proveedores.

# INDICE

- 1** GUÍA RÁPIDA DE PREFIJOS CATERPILLAR
- 2** KITS DE SELLOS HIDRÁULICOS CATERPILLAR
- 11** KITS DE FRENOS
- 15** KITS DE MOTOR
- 21** MONTURAS
- 29** BOMBAS HIDRÁULICAS
- 31** BOMBAS DE TRANSMISIÓN
- 33** TERMINALES
- 35** CUCHARONES
- 38** PRODUCTOS PARA RETROEXCAVADORA CASE

# PREFIJOS CATERPILLAR

| MODELO  | SERIE |
|---------|-------|
| 416     | 5PC   |
| 416B    | 8SG   |
| 416B    | 8ZK   |
| 416C    | 1AR   |
| 416C    | 1BR   |
| 416C    | 1KR   |
| 416C    | 1LR   |
| 416C    | 1WR   |
| 416C    | 1XR   |
| 416C    | 4ZN   |
| 416C    | 5YN   |
| 416D    | BFP   |
| 416D    | BGJ   |
| 416D    | BKG   |
| 416D    | CXP   |
| 416E    | B6P   |
| 416E    | BWC   |
| 416E    | CBD   |
| 416E    | LMS   |
| 416E    | MFG   |
| 416E    | NBE   |
| 416E    | SHA   |
| 416E II | GRR   |
| 416F    | KSF   |
| 416F    | LWT   |

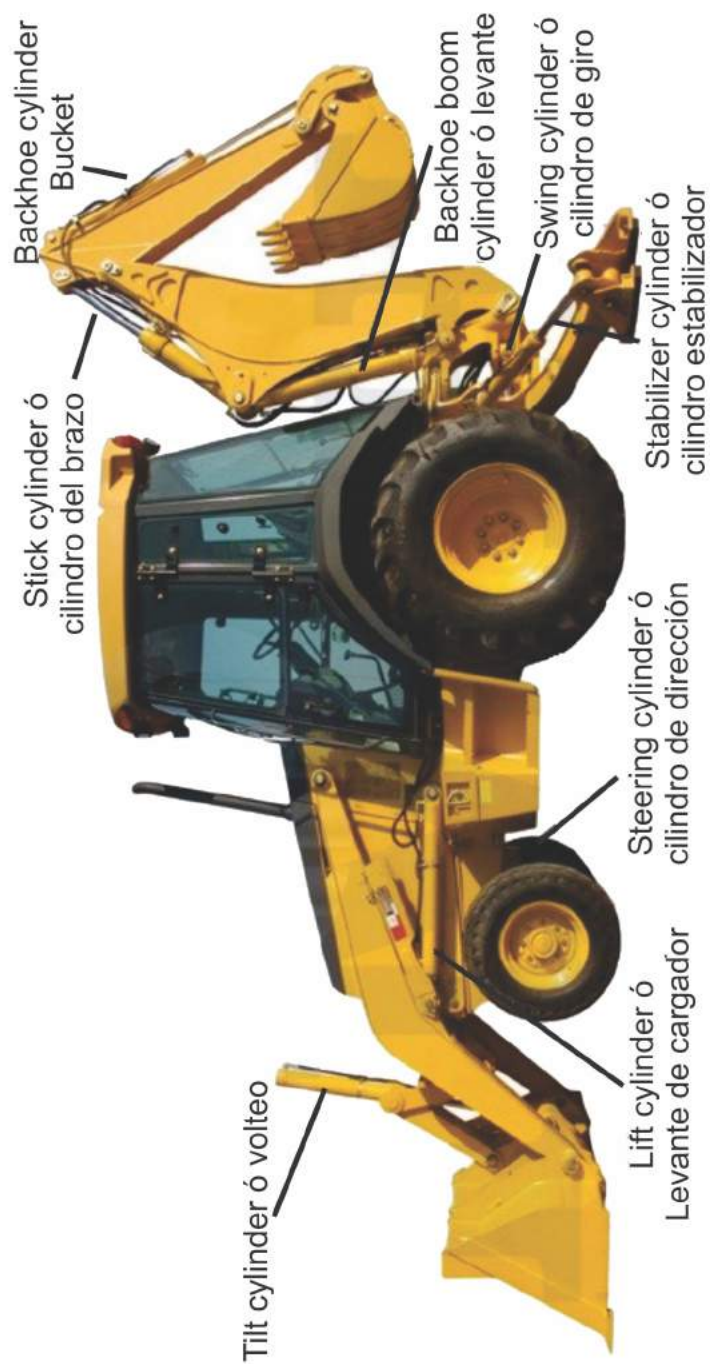
| MODELO | SERIE |
|--------|-------|
| 420D   | BKC   |
| 420D   | BLN   |
| 420D   | BMC   |
| 420D   | FDP   |
| 420D   | HLT   |
| 420D   | MBH   |
| 420E   | DAN   |
| 420E   | DJL   |
| 420E   | GAN   |
| 420E   | GEK   |
| 420E   | HLS   |
| 420E   | KMW   |
| 420E   | PHC   |
| 420E   | P R A |
| 420F   | JWJ   |
| 420F   | LKH   |
| 420F   | LTG   |
| 420F   | SKR   |
| 424D   | BGP   |
| 424D   | BKR   |
| 426    | 7BC   |
| 426B   | 5YJ   |
| 426B   | 6KL   |
| 426C   | 1CR   |
| 426C   | 1ER   |
| 426C   | 1MR   |
| 426C   | 1NR   |
| 426C   | 1YR   |
| 426C   | 1ZR   |
| 426C   | 6XN   |
| 426C   | 7WN   |

# KITS DE SELLOS HIDRÁULICOS



COMEDIMA DE PARTES  
Y MAQUINARIA, S.A. DE C.V.







## 416 416II 416B

S/N 5PC1-UP, 8SG1-14798, 8ZK1-11031

| CILINDRO       | NÚMERO DE SERIE        | KIT DE SELLOS | VARIABLES     |
|----------------|------------------------|---------------|---------------|
| LIFT           |                        | 246-5926      |               |
| TILT           |                        | 246-5926      |               |
| MULTI -PURPOSE |                        | 235-0354      |               |
| STEERING       | 5PC1-15427             | 246-5925      |               |
| STEERING       | 5PC-15428-UP, 8SG, 8ZK | 246-5927      |               |
| STABILIZER     | 8SG, 8ZK               | 246-5929      | 9T6388 Head   |
| STABILIZER     | 8SG, 8ZK               | 246-5933      | 152-1863 Head |
| SWING          | 5PC                    | 246-5929      |               |
| SWING          | 8SG, 8ZK               | 240-9538      |               |
| BOOM           | 5PC                    | 246-5926      |               |
| BOOM           | 8SG, 8ZK               | 241-8924      |               |
| BUCKET         | 5PC 1-6191             | 240-8525      |               |
| BUCKET         | 5PC-6192-UP, 8SG, 8ZK  | 186-4327      |               |
| EXT. BUCKET    | 5PC1-6191              | 240-8525      |               |
| EXT. BUCKET    | 8SG, 8ZK               | 186-4327      |               |
| STICK          | 5PC 1-6191             | 246-5929      |               |
| STICK          | 5PC 6192 - UP          | 242-2538      |               |
| STICK          | 8SG, 8ZK               | 243-5798      | 6E1405 Head   |
| STICK          | 8SG, 8ZK               | 231-0898      | 174-7432 Head |
| EXT. STICK     |                        | 235-0354      |               |



## 416C

S/N 1WR1-10736, 1XR1-2261, 4ZN1-50156, 5YN1-17074

| CILINDRO       | NÚMERO DE SERIE                                   | KIT DE SELLOS | VARIABLES          |
|----------------|---|---------------|--------------------|
| LIFT           | 4ZN, 5YN  | 246-5926      |                    |
| LIFT           | 1WR, 1XR  | 376-9011      |                    |
| TILT           | 4ZN, 5YN  | 246-5926      |                    |
| TILT           | 1WR, 1XR  | 238-4462      |                    |
| MULTI -PURPOSE |   | 235-0354      |                    |
| STEERING       | 1WR1-8115, 1XR1-2183, 4ZN1-2183, 5YN1-15147       | 235-0352      | 6E4941 Head        |
| STEERING       | 1WR1-8115, 1XR1-2183, 4ZN1-2183, 5YN1-15147       | 235-0351      | 151-5349 Head      |
| STEERING       | 1WR8116-UP, 1XR2184-UP, 5YN15148-UP               | 235-0351      |                    |
| STEERING       | 1WR1-8115, 1XR, 4ZN, 5YN                          | 178-7189      | Limpiador Interior |
| STABILIZER     | 1WR1-8291, 1XR1-2183, 4ZN1-16043, 5YN1-15147      | 246-5929      | 9T6388 Head        |
| STABILIZER     | 1WR8116-UP, 1XR2184-UP, 4ZN16044-UP, 5YN15148-UP  | 246-5928      | 152-1863 Head      |
| SWING          |   | 240-9538      |                    |
| BOOM           | 1WR1-8115, 1XR1-2183, 4ZN1-16043, 5YN1-15147      | 241-8924      |                    |
| BOOM           | 1WR8116-UP, 1XR2184-UP, 4ZN16044-UP, 5YN15148-UP  | 235-0973      |                    |
| BUCKET         | 1WR, 1XR1-2249, 4ZN, 5YN1-16589                   | 186-4327      | Limpiador Interior |
| BUCKET         | 1XR2250-UP, 5YN16590-UP                           | 223-5944      | Limpiador Interior |
| EXT. BUCKET    | 1WR, 1XR1-2249, 4ZN, 5YN1-16589                   | 186-4327      | Limpiador Interior |
| EXT. BUCKET    | 1XR2250-UP, 5YN16590-UP                           | 223-5944      | Limpiador Interior |
| STICK          |   | 231-0898      | 169-2967 Cylinder  |
| STICK          | 1WR10945-UP, 1XR2258-UP, 4ZN16044-UP, 5YN15148-UP | 243-5805      | 184-3709 Cylinder  |
| EXT. STICK     |   | 235-0354      |                    |







## 416D

S/N BFP1-UP, BGJ1-UP, BKG1-2651, B2D1-UP, CXP1-UP

| CILINDRO       | NÚMERO DE SERIE                                 | KIT DE SELLOS | VARIABLES          |
|----------------|---|---------------|--------------------|
| LIFT           | BFP1-2491, BGJ1-522                             | 246-5926      | 107-0624 Cylinder  |
| LIFT           | BFP2492-UP, BGJ1-1049, BGJ1141-UP, BKG, B2D,CXP | 234-2593      | 206-3549 Cylinder  |
| TILT           | BFP1-2491, BGJ1-522                             | 246-5926      | 185-1851 Cylinder  |
| TILT           | BFP2492-UP, BGJ, BKG, B2D, CXP                  | 234-2593      | 206-3553 Cylinder  |
| MULTI -PURPOSE |   | 235-0354      | 185-1839 Cylinder  |
| MULTI -PURPOSE | BFP12900-UP                                     | 230-9357      | 226-5540 Cylinder  |
| STEERING       | BFP1-12899, BGJ, BKG                            | 235-0351      |                    |
| STEERING       | BFP1-12899, BGJ, CXP1-399                       | 178-7189      | Limpiador Interior |
| STABILIZER     | BFP1-13792, BGJ1-1140, BKG, B2D1-266            | 285-7486      |                    |
| SWING          | BFP1-2491, BGJ1-522                             | 240-9538      | 169-9529 Cylinder  |
| SWING          | BFP2462-13792, BGJ1-1140, BKG, B2D              | 233-2622      | 278-1971 Cylinder  |
| BOOM           | BFP1-2532, BGJ1-522, BKG1-537                   | 241-8924      | 6E0274 Cylinder    |
| BOOM           | BFP2533-UP, BGJ, BKG, B2D                       | 261-6885      | 191-7753 Cylinder  |
| BOOM           | BFP2533-UP, BGJ, BKG, B2D                       | 235-0972      | 206-3628 Cylinder  |
| BOOM           | BFP1-5177                                       | 235-0973      |                    |
| BUCKET         |   | 223-5945      | Limpiador Interior |
| EXT. BUCKET    |   | 223-5945      | Limpiador Interior |
| EXT. BUCKET    | BGJ1050-UP                                      | 231-5021      | Limpiador Interior |
| STICK          |   | 243-5805      | 235-9829 Cylinder  |
| STICK          | BFP2533-UP, BGJ, BKG777-UP, B2D                 | 229-7194      | 206-0503 Cylinder  |
| EXT. STICK     |   | 235-0354      |                    |
| THUMB          |   | 276-4172      |                    |



## 416E

S/N BWC1-UP, CBD1-UP, LMS1-UP, MFG1-UP, SHA1-UP

| CILINDRO       | NÚMERO DE SERIE                | KIT DE SELLOS | VARIABLES         |
|----------------|--------------------------------|---------------|-------------------|
| LIFT           | BWC, CBD5760-UP, LMS, MFG, SHA | 234-2593      | 215-7298 Cylinder |
| LIFT           |                                | 233-2628      | 228-3508 Cylinder |
| TILT           |                                | 234-2593      |                   |
| MULTI -PURPOSE |                                | 230-9357      | 226-5540 Cylinder |
| MULTI -PURPOSE | CBD                            | 235-0354      | 185-1839 Cylinder |
| STEERING       |                                | 215-2023      | 214-5097 Cylinder |
| STABILIZER     |                                | 397-5181      |                   |
| SWING          |                                | 377-9352      | 269-0381 Cylinder |
| BOOM           |                                | 295-9891      | 210-7074 Cylinder |
| BOOM           | BWC, SHA                       | 380-9597      | 246-9885 Cylinder |
| BUCKET         | BWC, CBD, SHA                  | 365-1283      | 210-7086 Cylinder |
| BUCKET         |                                | 338-7038      | 210-7088 Cylinder |
| STICK          |                                | 380-9614      | 210-7097 Cylinder |
| STICK          |                                | 338-7156      | 210-7098 Cylinder |

## 416F

S/N KSF1-UP, LWT1-UP

| CILINDRO       | NÚMERO DE SERIE | KIT DE SELLOS | VARIABLES |
|----------------|-----------------|---------------|-----------|
| MULTI -PURPOSE |                 | 230-9357      |           |
| BOOM           |                 | 295-9891      |           |
| BUCKET         |                 | 338-7038      |           |
| STICK          |                 | 338-7156      |           |



## 420D

S/N BKC1-UP, BLN1-UP, FDP1-UP, BMC

| CILINDRO       | NÚMERO DE SERIE    | KIT DE SELLOS | VARIABLES         |
|----------------|--------------------|---------------|-------------------|
| LIFT           |                    | 241-0110      |                   |
| TILT           | BKC, FDP           | 241-0110      | 180-7482 Cylinder |
| TILT           | BKC, FDP           | 260-0273      | 192-4110 Cylinder |
| TILT           | BKC                | 261-8625      | 200-7128 Cylinder |
| TILT           | BLN, BMC           | 261-7175      | 192-3884 Cylinder |
| TILT           | BLN, BMC           | 241-0109      | 183-2848 Cylinder |
| MULTI -PURPOSE |                    | 235-0354      |                   |
| STEERING       | BKC, BLN, FDP, BMC | 235-0351      | 1674235 Cylinder  |
| STABILIZER     | BKC, BLN, FDP, BMC | 285-7486      |                   |
| SWING          |                    | 240-9538      |                   |
| BOOM           |                    | 235-0973      |                   |
| BUCKET         |                    | 223-5944      | 166-8140 Cylinder |
| BUCKET         |                    | 231-5021      | 191-7835 Cylinder |
| STICK          | BKC, BLN           | 235-0354      | 164-7174 Cylinder |
| STICK          |                    | 380-9484      | 191-7725 Cylinder |
| STICK          | FDP, BMC           | 243-5805      | 184-3709 Cylinder |
| STICK          | BMC                | 229-7194      | 235-9829 Cylinder |
| EXT. STICK     |                    | 235-0354      |                   |



## 424D

S/N BGP1-UP, BKR1-UP

| CILINDRO       | NÚMERO DE SERIE | KIT DE SELLOS | VARIABLES         |
|----------------|-----------------|---------------|-------------------|
| LIFT           |                 | 246-5926      |                   |
| TILT           |                 | 246-5926      |                   |
| MULTI -PURPOSE |                 | 235-0354      |                   |
| STEERING       |                 | 235-0351      | 167-4235 Cylinder |
| STABILIZER     |                 | 234-2595      |                   |
| SWING          |                 | 240-9538      |                   |
| BOOM           |                 | 261-6885      | 191-7753 Cylinder |
| BOOM           |                 | 235-0972      | 206-3628 Cylinder |
| BOOM           |                 | 241-8924      | 6E0274 Cylinder   |
| BUCKET         |                 | 223-5945      |                   |
| STICK          |                 | 235-0354      | 164-7174 Cylinder |
| STICK          |                 | 380-9484      | 191-7725 Cylinder |
| EXT. STICK     |                 | 235-0354      |                   |





## N P R

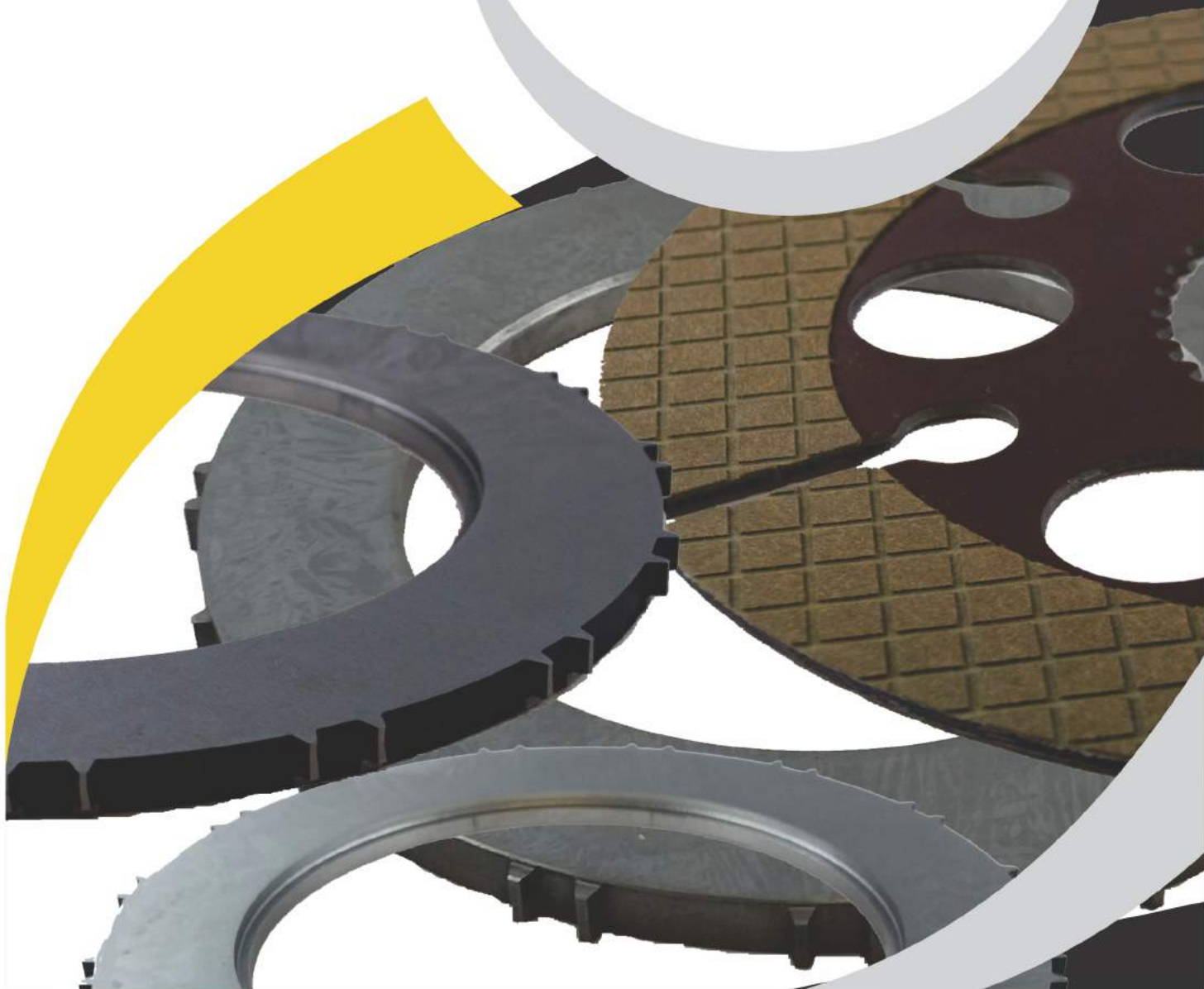
### GUIA DE CAMBIO DE NÚMEROS

|               |          |          |
|---------------|----------|----------|
| KIT DE SELLOS | 186-4327 | 3E3299   |
| KIT DE SELLOS | 231-0898 | 111-3300 |
| KIT DE SELLOS | 235-0354 | 7X2737   |
| KIT DE SELLOS | 235-0973 | 703397   |
| KIT DE SELLOS | 240-9538 | 111-3302 |
| KIT DE SELLOS | 241-8924 | 3E8877   |
| KIT DE SELLOS | 243-5798 | 146-9860 |
| KIT DE SELLOS | 246-5925 | 8T3852   |
| KIT DE SELLOS | 246-5926 | 3E3297   |
| KIT DE SELLOS | 246-5927 | 111-3301 |
| KIT DE SELLOS | 246-5928 | 180-0062 |
| KIT DE SELLOS | 246-5929 | 130-5923 |
| KIT DE SELLOS | 246-5929 | 3E3298   |
| KIT DE SELLOS | 376-9011 | 228-1778 |
|               |          |          |
| CABEZAL       | 151-5349 | 6E4941   |
| CABEZAL       | 152-1863 | 9T6388   |
|               |          |          |
| CILINDRO      | 206-3553 | 185-1851 |
| CILINDRO      | 206-3555 | 180-7482 |
| CILINDRO      | 206-3555 | 192-4110 |
| CILINDRO      | 235-9829 | 169-2967 |
| CILINDRO      | 235-9829 | 184-3709 |
| CILINDRO      | 235-9829 | 206-0503 |
| CILINDRO      | 278-1971 | 169-9529 |

# KITS DE FRENOS CAT



COMEDIMA DE PARTES  
Y MAQUINARIA, S.A. DE C.V.

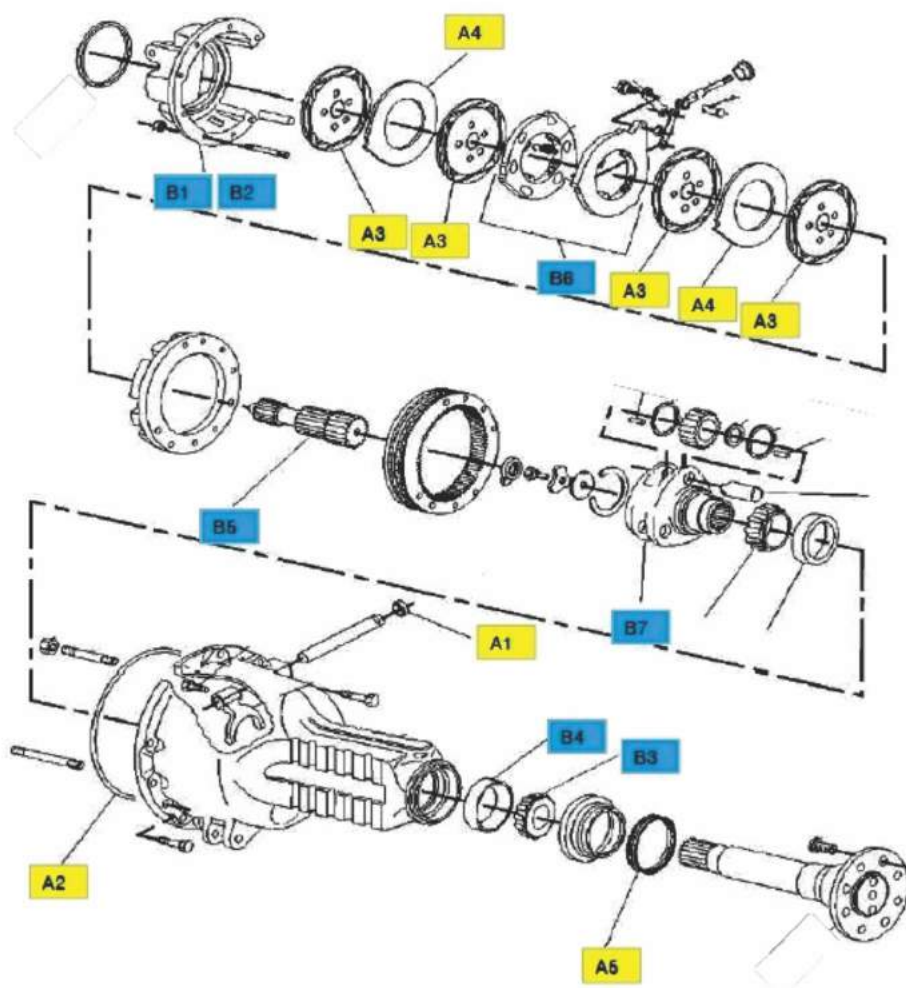




# KIT DE FRENOS PARA RETROEXCAVADORA CAT

## KDF416-5PC

RETROEXCAVADORA 416 SERIE 5PC-UP



### KDF4165PC

|    |   |        |       |
|----|---|--------|-------|
| A1 | 1 | 9R2505 | SELLO |
| A2 | 2 | 9R2495 | SELLO |
| A3 | 8 | 9R2477 | DISCO |
| A4 | 4 | 9R2476 | PLATO |
| A5 | 2 | 9R6223 | SELLO |

### OPCIONALES

|    |   |          |              |        |
|----|---|----------|--------------|--------|
| B1 | 1 | 278-0222 | HOUSING R.H. | 9R2465 |
| B2 | 1 | 278-0221 | HOUSING L.H. | 9R2467 |
| B3 | 2 | 030-1957 | BALERO       |        |
| B4 | 2 | 6B3224   | TAZA         |        |
| B5 | 2 | 9R2424   | FLECHA       |        |
| B6 | 2 | 9R2478   | CLUTCH       |        |
| B7 | 2 | 9R2423   | CARRIER      |        |

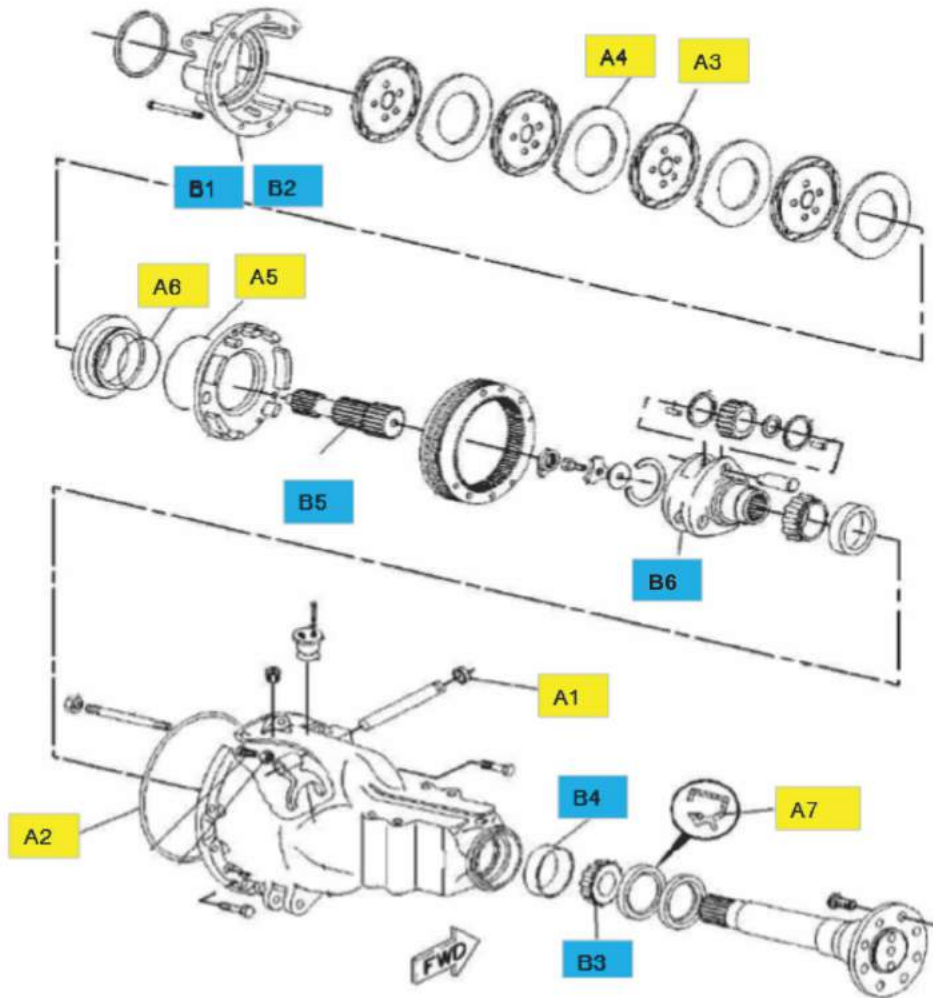
KIT DE FRENOS PARA RETROEXCAVADORA CAT

# KIT DE FRENOS PARA RETROEXCAVADORA CAT



## KDF416-8SG

RETROEXCAVADORA 416B SERIE 8SG-UP



### KDF416-8SG

|   |        |       |    |
|---|--------|-------|----|
| 1 | 9R2505 | SELLO | A1 |
| 2 | 9R2495 | SELLO | A2 |
| 8 | 9R2477 | DISCO | A3 |
| 8 | 9R9401 | PLATO | A4 |
| 2 | 9R9410 | SELLO | A5 |
| 2 | 9R9409 | SELLO | A6 |
| 2 | 9R9402 | RETÉN | A7 |

### OPCIONALES

|   |          |            |    |
|---|----------|------------|----|
| 1 | 278-0222 | HOUSING RH | B1 |
| 1 | 278-0221 | HOUSING LH | B2 |
| 2 | 030-1957 | BALERO     | B3 |
| 2 | 6B3224   | TAZA       | B4 |
| 2 | 9R2424   | FLECHA     | B5 |
| 2 | 186-4117 | CARRIER    | B6 |

KIT DE FRENOS PARA RETROEXCAVADORA CAT

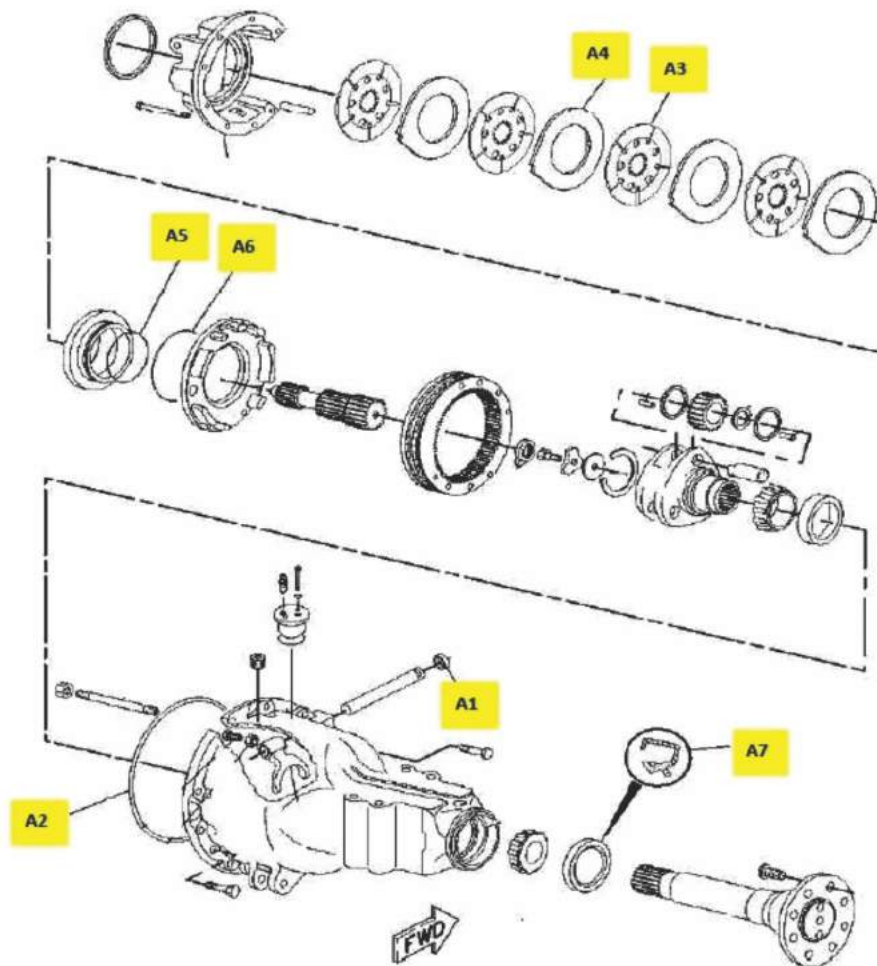




# KIT DE FRENOS PARA RETROEXCAVADORA CAT

## KDF416

416B 8ZK 416C 1WR, 1XR, 4ZN, 5YN  
416D BFP, BGJ, BKG, CXP, 420D BKC



## KDF416

|   |          |       |    |
|---|----------|-------|----|
| 1 | 9R2505   | SELLO | A1 |
| 2 | 9R2495   | SELLO | A2 |
| 8 | 230-4017 | DISCO | A3 |
| 8 | 9R9401   | PLATO | A4 |
| 2 | 9R9410   | SELLO | A5 |
| 2 | 9R9409   | SELLO | A6 |
| 2 | 118-5839 | RETÉN | A7 |

KIT DE FRENOS PARA RETROEXCAVADORA CAT

# KITS DE MOTOR



COMEDIMA DE PARTES  
Y MAQUINARIA, S.A. DE C.V.





## PISTÓN 4W5819

|                      |  |
|----------------------|--|
| PISTÓN               | 4W5819   |
| APLICACIÓN PRINCIPAL | 5PC1 - UP  |
| ARREGLO              | 9C6074 2W977 7C6074 2W9778                       |
| TIPO                 | ASPIRACIÓN NATURAL                               |
| OTRAS APLICACIONES   | 7BC1 - 3GC - 4DC - 6BD - 6LD                     |
| EQUIPOS              | 416 - 416 SERIE II - 426 SERIE II - 428 SERIE II |

|              |                     |
|--------------|---------------------|
| KIT DE MOTOR | POK 452             |
| KIT DE MOTOR | BOK500              |
| KIT DE MOTOR | BBK500 (KIT BÁSICO) |

### REFERENCIAS

|                        |          |
|------------------------|----------|
| VÁLVULA DE ADMISIÓN    | 2W6988   |
| VÁLVULA DE ESCAPE      | 7W2522   |
| GUÍA DE VÁLVULA ADM    | 160-5436 |
| GUÍA DE VÁLVULA ESC    | 160-5438 |
| CABEZA                 | 2W6947   |
| EMPAQUE DE CABEZA      | 146-5098 |
| CIGÜEÑAL               | 139-7018 |
| RETÉN DELANTERO        | 288-0422 |
| RETÉN TRASERO          | 4W5360   |
| BUJE DE BIELA          | 067-6158 |
| BIELA                  | 067-6879 |
| METAL DE BIELA .10     | 4P9945   |
| METAL DE BIELA .20     | 4P9946   |
| METAL DE BANCADA .10   | 033-2379 |
| METAL DE BANCADA .20   | 033-2380 |
| BOMBA DE ACEITE        | 067-6925 |
| BOMBA DE AGUA          | 7E9195   |
| BOMBA DE TRANSFERENCIA | 7C2798   |

### COMPONENTES DEL KIT BÁSICO

|          |                          |
|----------|--------------------------|
| 7C3182   | CAMISA                   |
| 7W7732   | ANILLOS                  |
| 067-6158 | BUJES DE BIELA           |
| 4P9944   | METAL DE BIELA STD       |
| 067-6869 | METAL DE BANCADA STD     |
| 032-9090 | MEDIA LUNA SUPERIOR      |
| 032-9091 | MEDIA LUNA INFERIOR      |
| 4P7577   | KIT DE EMPAQUES SUPERIOR |
| N / A    | KIT DE EMPAQUES CENTRAL  |
| 194-4425 | KIT DE EMPAQUE INFERIOR  |

Nota : Los componentes del kit básico son definidos por el número de pistón, existen algunas aplicaciones especiales que pueden usar diferentes componentes, antes de colocar la orden se recomienda verificar con el modelo, serie y arreglo en el SIS. Las piezas de cada kit pueden contener diferente numeración según cada proveedor.

## PISTÓN 135-0264

|                      |                             |
|----------------------|-----------------------------|
| PISTÓN               | 135-0264                    |
| APLICACIÓN PRINCIPAL | 5HK30746 - UP               |
| ARREGLO              | 106-5001 7E7702             |
| TIPO                 | ASPIRACIÓN NATURAL          |
| OTRAS APLICACIONES   | 6FK1-UP + 5YS1-UP + 4ZK1-UP |
| EQUIPOS              | 416C                        |

|              |                             |
|--------------|-----------------------------|
| KIT DE MOTOR | POK470                      |
| KIT DE MOTOR | BOK502                      |
| KIT DE MOTOR | BBK502 (KIT BÁSICO)         |
| KIT DE MOTOR | CTP1350264-IK4 (KIT BÁSICO) |

### REFERENCIAS

|                        |          |
|------------------------|----------|
| VÁLVULA DE ADMISIÓN    | 6I0282   |
| VÁLVULA DE ESCAPE      | 7W4602   |
| GUÍA DE VÁLVULA ADM    | 160-5436 |
| GUÍA DE VÁLVULA ESC    | 160-5438 |
| CABEZA                 | 132-9254 |
| EMPAQUE DE CABEZA      | 160-0161 |
| CIGÜEÑAL               | 139-7018 |
| RETÉN DELANTERO        | 288-0422 |
| RETÉN TRASERO          | 4W5360   |
| BUJE DE BIELA          | 067-6158 |
| BIELA                  | 067-6879 |
| METAL DE BIELA .10     | 4P9945   |
| METAL DE BIELA .20     | 4P9946   |
| METAL DE BANCADA .10   | 033-2379 |
| METAL DE BANCADA .20   | 033-2380 |
| BOMBA DE ACEITE        | 6I0253   |
| BOMBA DE AGUA          | 151-4825 |
| BOMBA DE TRANSFERENCIA | 201-0877 |

### COMPONENTES DEL KIT BÁSICO

|          |                          |
|----------|--------------------------|
| 6I0164   | CAMISA                   |
| 146-1780 | ANILLOS                  |
| 067-6158 | BUJES DE BIELA           |
| 067-6886 | METAL DE BIELA STD       |
| 067-6869 | METAL DE BANCADA STD     |
| 032-9090 | MEDIA LUNA SUPERIOR      |
| 032-9091 | MEDIA LUNA INFERIOR      |
| 177-3310 | KIT DE EMPAQUES SUPERIOR |
| N / A    | KIT DE EMPAQUES CENTRAL  |
| 173-9716 | KIT DE EMPAQUE INFERIOR  |

Para motores con camisa 111-1815 use :

CTP1350264-IK4A

Para motores con el cigüeñal 193-0159 use :

BOK700 BBK700

Nota : Los componentes del kit básico son definidos por el número de pistón, existen algunas aplicaciones especiales que pueden usar diferentes componentes, antes de colocar la orden se recomienda verificar con el modelo, serie y arreglo en el SIS. Las piezas de cada kit pueden contener diferente numeración según cada proveedor.



## PISTÓN 152-1390

|                      |  |          |          |
|----------------------|--|----------|----------|
| PISTÓN               | 152-1390   |          |          |
| APLICACIÓN PRINCIPAL | 5YS1-UP  |          |          |
| ARREGLO              | 254-0828   | 122-8804 | 122-8803 |
| TIPO                 | ASPIRACIÓN NATURAL O TURBOCARGADO  |          |          |
| OTRAS APLICACIONES   | 7MS1-UP  |          |          |
| EQUIPOS              | 416B - 416C - 426B - 426C - 436C<br>*APLICA TAMBIEN PARA EQUIPOS PEQUEÑOS* |          |          |

|              |                |                    |
|--------------|----------------|--------------------|
| KIT DE MOTOR | POK473         |                    |
| KIT DE MOTOR | BOK504/45°     | con válvulas a 45° |
| KIT DE MOTOR | BOK504/30°     | con válvulas a 30° |
| KIT DE MOTOR | BKK504         | ( KIT BÁSICO )     |
| KIT DE MOTOR | CTP1521390-IK4 | ( KIT BÁSICO )     |

| REFERENCIAS            |             |
|------------------------|-------------|
| VÁLVULA DE ADMISIÓN    | 145-6855    |
| VÁLVULA DE ESCAPE      | 145-6857    |
| GUÍA DE VÁLVULA ADM    | 185-0882 ** |
| GUÍA DE VÁLVULA ESC    | 163-9256 ** |
| CABEZA                 | 163-9254    |
| EMPAQUE DE CABEZA      | 160-0161    |
| CIGÜEÑAL               | 139-7018    |
| RETÉN DELANTERO        | 288-0422    |
| RETÉN TRASERO          | 4W5360      |
| BUJE DE BIELA          | VARIOS      |
| BIELA                  | VARIOS      |
| METAL DE BIELA .10     | 4P9945      |
| METAL DE BIELA .20     | 4P9946      |
| METAL DE BANCADA .10   | 033-2379    |
| METAL DE BANCADA .20   | 033-2380    |
| BOMBA DE ACEITE        | 6I0912      |
| BOMBA DE AGUA          | 239-6142    |
| BOMBA DE TRANSFERENCIA | 201-0877    |

| COMPONENTES DEL KIT BÁSICO |                          |
|----------------------------|--------------------------|
| 111-1815                   | CAMISA                   |
| 138-2073                   | ANILLOS                  |
| 138-2048                   | BUJES DE BIELA           |
| 4P9944                     | METAL DE BIELA STD       |
| 067-6869                   | METAL DE BANCADA STD     |
| 032-9090                   | MEDIA LUNA SUPERIOR      |
| 032-9091                   | MEDIA LUNA INFERIOR      |
| 187-4968                   | KIT DE EMPAQUES SUPERIOR |
| N / A                      | KIT DE EMPAQUES CENTRAL  |
| 175-1321                   | KIT DE EMPAQUE INFERIOR  |

### \*\* GUÍAS DE VÁLVULA SEMI-TERMINADAS

Para motores con camisas 111-1815 use :  
CTP1521390-IK4A

Para motores con cigüeñal 254-0252 use :  
BOK505/45°    BOK505/30°  
BBK505        ( KIT BÁSICO )

Para motores con cigüeñal 193-0159 use :  
BOK702/45°    BOK702/30°  
BBK702        ( KIT BÁSICO )

Nota : Los componentes del kit básico son definidos por el número de pistón, existen algunas aplicaciones especiales que pueden usar diferentes componentes, antes de colocar la orden se recomienda verificar con el modelo, serie y arreglo en el SIS. Las piezas de cada kit pueden contener diferente numeración según cada proveedor.

## PISTÓN 107-2553

|                      |   |          |          |                 |
|----------------------|---|----------|----------|-----------------|
| PISTÓN               | 107-2553  |          |          |                 |
| APLICACIÓN PRINCIPAL | 6FK1-UP   |          |          |                 |
| ARREGLO              | 106-5002  | 108-0496 | 108-2783 | 115-1697 7E9560 |
| TIPO                 | TURBOCARGADO  |          |          | 6I2216          |
| OTRAS APLICACIONES   | 7AK1-UP + 1ML1-UP + 5YS1-UP + 6MK1-UP + 6MJ + 3KK + 6KL1-UP |          |          |                 |
| EQUIPOS              | 426B - 428B - 436B  |          |          |                 |

|              |                |                |
|--------------|----------------|----------------|
| KIT DE MOTOR | POK472         |                |
| KIT DE MOTOR | BOK503/45°     | VÁLVULAS A 45° |
| KIT DE MOTOR | BOK503/30°     | VÁLVULAS A 30° |
| KIT DE MOTOR | BBK503         | ( KIT BÁSICO ) |
| KIT DE MOTOR | CTP1072553-IK4 | ( KIT BÁSICO ) |

### REFERENCIAS

|                        |            |
|------------------------|------------|
| VÁLVULA DE ADMISIÓN    | 6I0282     |
| VÁLVULA DE ESCAPE      | 7W4602     |
| GUÍA DE VÁLVULA ADM    | 160-5436   |
| GUÍA DE VÁLVULA ESC    | 160-5438   |
| CABEZA                 | 132-9254   |
| EMPAQUE DE CABEZA      | 160-0161   |
| CIGÜEÑAL               | 139-7018   |
| RETÉN DELANTERO        | 288-0422   |
| RETÉN TRASERO          | 4W5360     |
| BUJE DE BIELA          | 7W2510**   |
| BIELA                  | 256-2235** |
| METAL DE BIELA .10     | 4P9945     |
| METAL DE BIELA .20     | 4P9946     |
| METAL DE BANCADA .10   | 033-2379   |
| METAL DE BANCADA .20   | 033-2380   |
| BOMBA DE ACEITE        | 6I0912     |
| BOMBA DE AGUA          | 151-4825   |
| BOMBA DE TRANSFERENCIA | 201-0877   |

### COMPONENTES DEL KIT BÁSICO

|          |                          |
|----------|--------------------------|
| 6I0164   | CAMISA                   |
| 112-7020 | ANILLOS                  |
| 7W2510   | BUJES DE BIELA           |
| 4P9944   | METAL DE BIELA STD       |
| 067-6869 | METAL DE BANCADA STD     |
| 032-9090 | MEDIA LUNA SUPERIOR      |
| 032-9091 | MEDIA LUNA INFERIOR      |
| 177-3310 | KIT DE EMPAQUES SUPERIOR |
| N / A    | KIT DE EMPAQUES CENTRAL  |
| 173-9716 | KIT DE EMPAQUE INFERIOR  |

\*\* CÓNICO

Para motores con camisas 111-1815 use :

CTP1072553-IK4A

Para motores con cigüeñal 193-0159 use :

BOK701/45°      BOK701/30°

BBK701      ( KIT BÁSICO )

Nota : Los componentes del kit básico son definidos por el número de pistón, existen algunas aplicaciones especiales que pueden usar diferentes componentes, antes de colocar la orden se recomienda verificar con el modelo, serie y arreglo en el SIS. Las piezas de cada kit pueden contener diferente numeración según cada proveedor.



# MOTORES PERKINS CON APLICACIÓN CATERPILLAR

## PISTÓN 225-5437

|                      |                |          |          |          |          |
|----------------------|----------------|----------|----------|----------|----------|
| APLICACIÓN PRINCIPAL | 3054C / 3054E  |          |          |          |          |
| ARREGLO              | 177-9752       | 207-1175 | 241-8582 | 213-0296 | 307-2279 |
|                      | 257-8376       | 257-8374 | 257-8364 | 223-6511 | 244-3103 |
|                      | 257-8380       | 257-8375 | 257-8369 | 223-6467 | 244-3105 |
|                      | 231-0178 AL 86 | 232-4502 | 230-5539 | 219-7590 | 270-0073 |
|                      | 241-8584 AL 86 | 257-8362 | 223-7570 | 219-7591 | 254-8381 |
|                      |                |          | 256-4720 | 257-8359 |          |

|      |              |  |  |  |  |
|------|--------------|--|--|--|--|
| TIPO | TURBOCARGADO |  |  |  |  |
|------|--------------|--|--|--|--|

|              |        |      |
|--------------|--------|------|
| KIT DE MOTOR | BOK518 | STD  |
| KIT DE MOTOR | BOK519 | 0.50 |
| KIT DE MOTOR | BOK520 | 1.00 |

| REFERENCIAS            |             |
|------------------------|-------------|
| VÁLVULA DE ADMISION    | 225-5495    |
| VÁLVULA DE ESCAPE      | 225-5499    |
| GUÍA DE VÁLVULA ADM    | 185-0882 ** |
| GUÍA DE VÁLVULA ESC    | 185-0882 ** |
| BIELA                  | 225-5453    |
| EMPAQUE DE CABEZA      | 258-4946    |
| CIGÜEÑAL               | 364-2829    |
| RETÉN DELANTERO        | 288-0422    |
| RETÉN TRASERO          | 232-7449    |
| BUJE DE BIELA          | 225-5438    |
| METAL DE BIELA .10     | 233-3788    |
| METAL DE BIELA .20     | 233-3789    |
| METAL DE BANCADA .10   | 233-3784    |
| METAL DE BANCADA .20   | 233-3785    |
| BOMBA DE ACEITE        | 225-8329    |
| BOMBA DE AGUA          | 354-1672    |
| BOMBA DE TRANSFERENCIA | 350-4315    |

| COMPONENTES DEL KIT BÁSICO |                          |
|----------------------------|--------------------------|
| N / A                      | CAMISA                   |
| 225-5436                   | ANILLOS                  |
| 225-5438                   | BUJES DE BIELA           |
| 225-7781                   | METAL DE BIELA STD       |
| 225-7772                   | METAL DE BANCADA STD     |
| 032-9090                   | MEDIA LUNA SUPERIOR      |
| 032-9091                   | MEDIA LUNA INFERIOR      |
| 276-3420                   | KIT DE EMPAQUES SUPERIOR |
| N / A                      | KIT DE EMPAQUES CENTRAL  |
| 272-0494                   | KIT DE EMPAQUE INFERIOR  |

\*\* GUÍAS DE VÁLVULA SEMI-TERMINADAS

Nota : Los componentes del kit básico son definidos por el número de pistón, existen algunas aplicaciones especiales que pueden usar diferentes componentes, antes de colocar la orden se recomienda verificar con el modelo, serie y arreglo en el SIS. Las piezas de cada kit pueden contener diferente numeración según cada proveedor.

MOTORES PERKINS CON APLICACIÓN CATERPILLAR

**MONTURAS**



**COMEDIMA DE PARTES  
Y MAQUINARIA, S.A. DE C.V.**

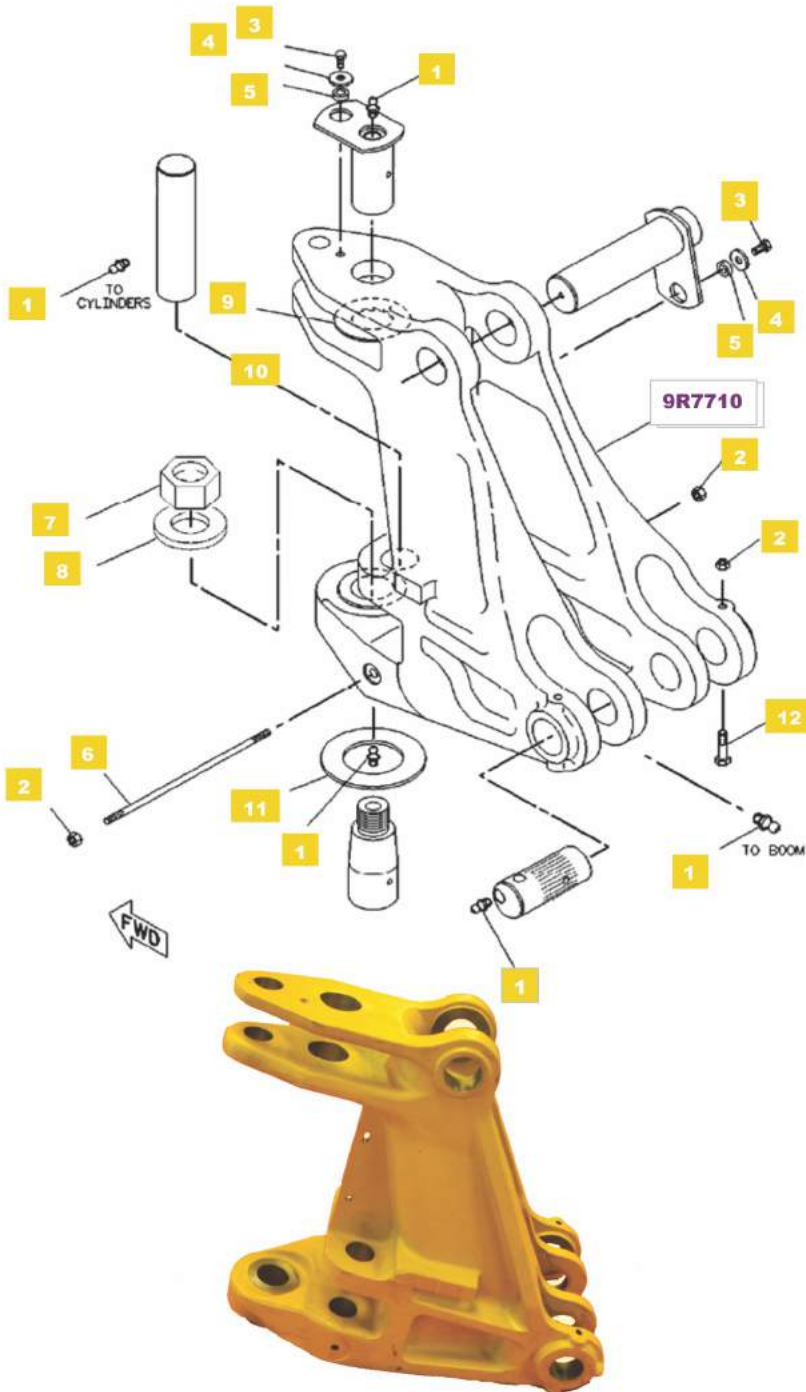




# MONTURA PIEZAS DE LUBRICACIÓN E INSTALACIÓN

## 9R7710

416-B 428-B 416-C 428-C 438-C 416-D 420-D 424-D 428-D 432-D 438-D 442-D



| PARTE | CANTIDAD | DESCRIPCIÓN |
|-------|----------|-------------|
| 1     | 6        | GRASERA     |
| 2     | 4        | TUERCA      |
| 3     | 2        | TORNILLO    |
| 4     | 2        | RONDANA     |
| 5     | 2        | AJUSTE      |
| 6     | 1        | BARRA       |
| 7     | 1        | TUERCA      |
| 8     | 1        | RONDANA     |
| 9     | 2        | AJUSTE      |
| 10    | 2        | AJUSTE      |
| 11    | 1        | RONDANA     |
| 12    | 2        | TORNILLO    |

MONTURAS

## 9R7710

416-B 428-B 416-C 428-C 438-C 416-D 420-D 424-D 428-D 432-D 438-D 442-D

| PARTE | CANTIDAD | DESCRIPCIÓN |
|-------|----------|-------------|
|-------|----------|-------------|

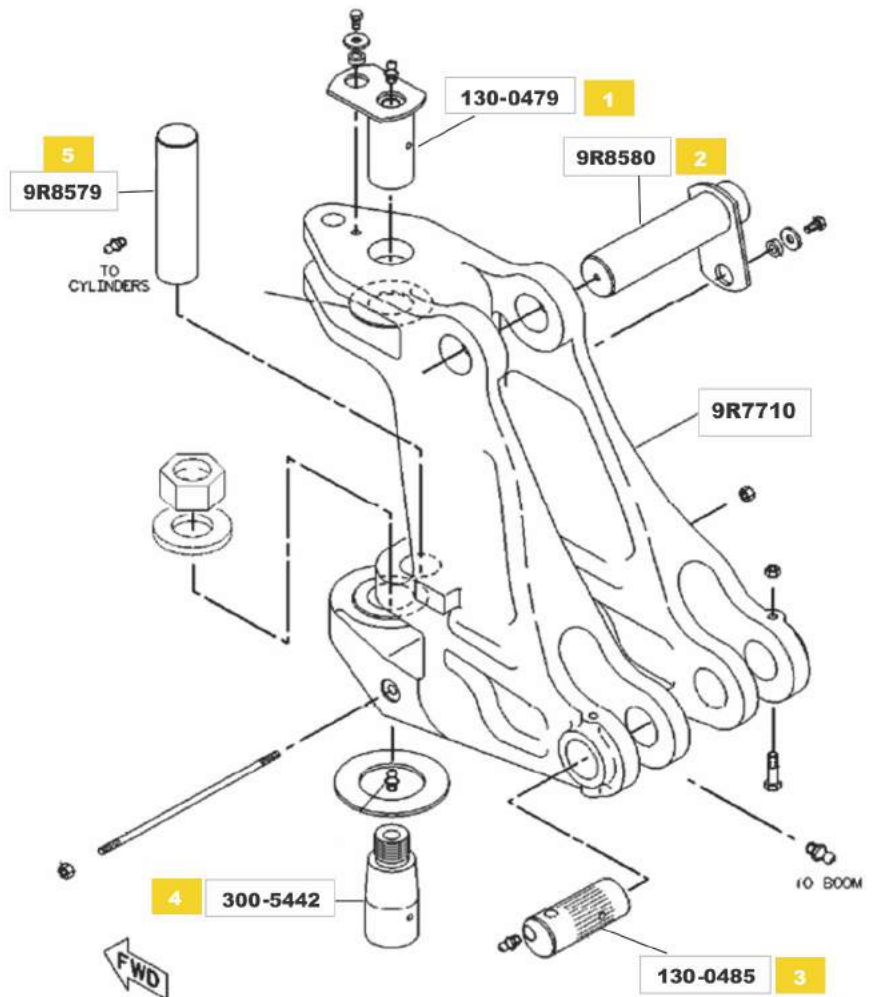
|          |          |   |       |
|----------|----------|---|-------|
| <b>1</b> | 130-0479 | 1 | PERNO |
|----------|----------|---|-------|

|          |        |   |       |
|----------|--------|---|-------|
| <b>2</b> | 9R8580 | 1 | PERNO |
|----------|--------|---|-------|

|          |          |   |       |
|----------|----------|---|-------|
| <b>3</b> | 130-0485 | 2 | PERNO |
|----------|----------|---|-------|

|          |          |   |       |
|----------|----------|---|-------|
| <b>4</b> | 300-5442 | 1 | PERNO |
|----------|----------|---|-------|

|          |        |   |       |
|----------|--------|---|-------|
| <b>5</b> | 9R8579 | 2 | PERNO |
|----------|--------|---|-------|



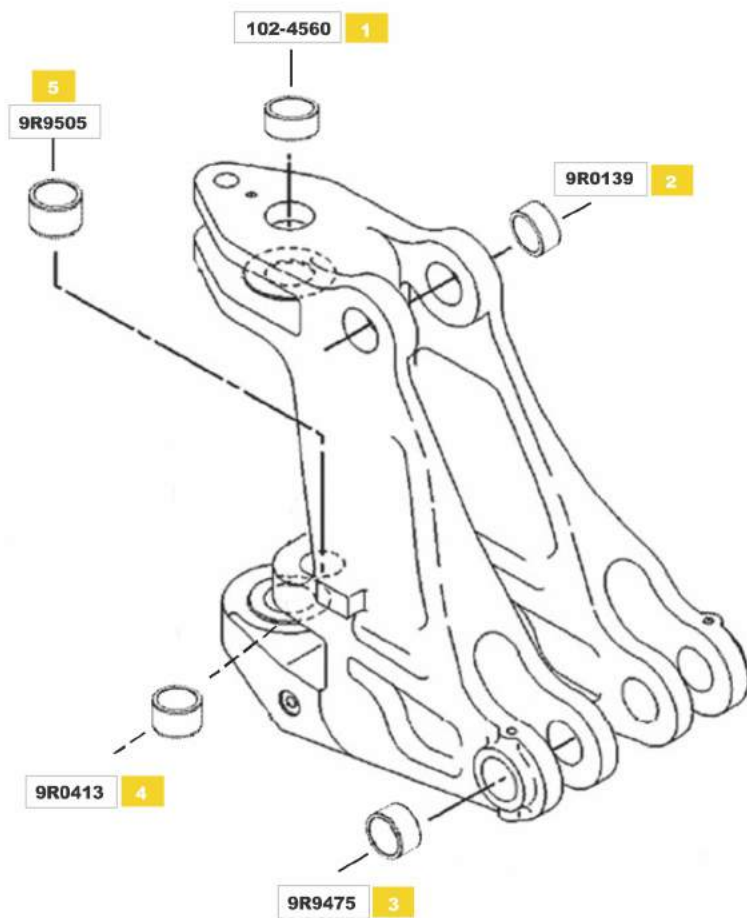
MONTURAS





## 9R7710

416-B 428-B 416-C 428-C 438-C 416-D 420-D 424-D 428-D 432-D 438-D 442-D



| PARTE | CANTIDAD | DESCRIPCIÓN |
|-------|----------|-------------|
| 1     | 1        | BUJE        |
| 2     | 2        | BUJE        |
| 3     | 2        | BUJE        |
| 4     | 1        | BUJE        |
| 5     | 2        | BUJE        |



MONTURAS




## 2366954

416-D 420-D 424-D 428-D 432-D 438-D 442-D



MONTURAS

| PARTE | CANTIDAD | IMAGEN |
|-------|----------|--------|
|-------|----------|--------|

|          |         |   |   |
|----------|---------|---|---|
| <b>1</b> | 9R8731  | 1 |    |
| <b>2</b> | 1300479 | 1 |  |
| <b>3</b> | 9R8579  | 2 |  |
| <b>4</b> | 3005442 | 1 |  |
|          | 8T4837  | 1 |  |
|          | 8T3652  | 1 |  |
|          | 3B8489  | 1 |  |
| <b>5</b> | 1302533 | 2 |  |



# MONTURA BUJES

## 2366954

416-D 420-D 424-D 428-D 432-D 438-D 442-D

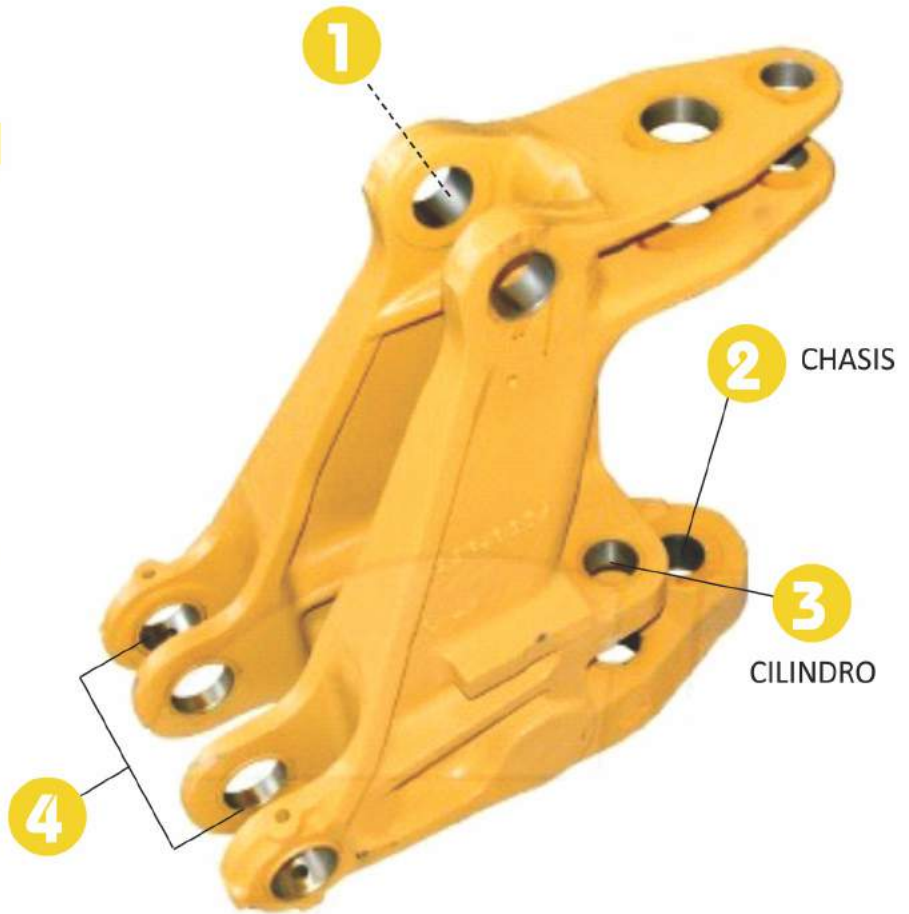
| PARTE | CANTIDAD | IMAGEN |
|-------|----------|--------|
|-------|----------|--------|

|          |        |   |  |
|----------|--------|---|--|
| <b>1</b> | 9R6515 | 2 |  |
|----------|--------|---|--|

|          |        |   |   |
|----------|--------|---|---|
| <b>2</b> | 9R4110 | 2 |  |
|----------|--------|---|---|

|          |        |   |   |
|----------|--------|---|---|
| <b>3</b> | 9R9505 | 2 |  |
|----------|--------|---|---|

|          |        |   |   |
|----------|--------|---|---|
| <b>4</b> | 9R3812 | 4 |  |
|----------|--------|---|---|

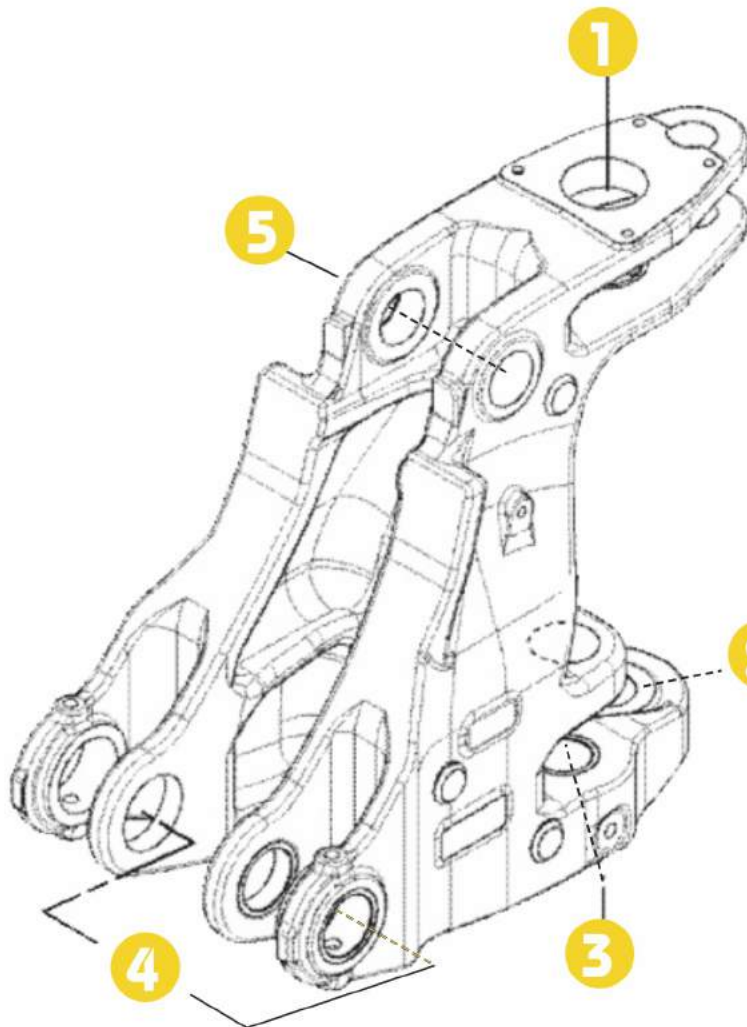


MONTURAS

# MONTURA PERNOS

## 3161079

416-E 420-E 422-E 428-E 432-E 434-E



| PARTE | CANTIDAD | IMAGEN |
|-------|----------|--------|
|-------|----------|--------|

|          |         |   |   |
|----------|---------|---|---|
| <b>1</b> | 3305854 | 1 |    |
| <b>2</b> | 3005440 | 1 |    |
| <b>3</b> | 2096855 | 1 |   |
| <b>4</b> | 2375330 | 2 |  |
| <b>5</b> | 2096850 | 1 |  |



MONTURAS



# MONTURA BUJES

## 3161079

416-E 420-E 422-E 428-E 432-E 434-E

| PARTE | CANTIDAD | IMAGEN |
|-------|----------|--------|
|-------|----------|--------|

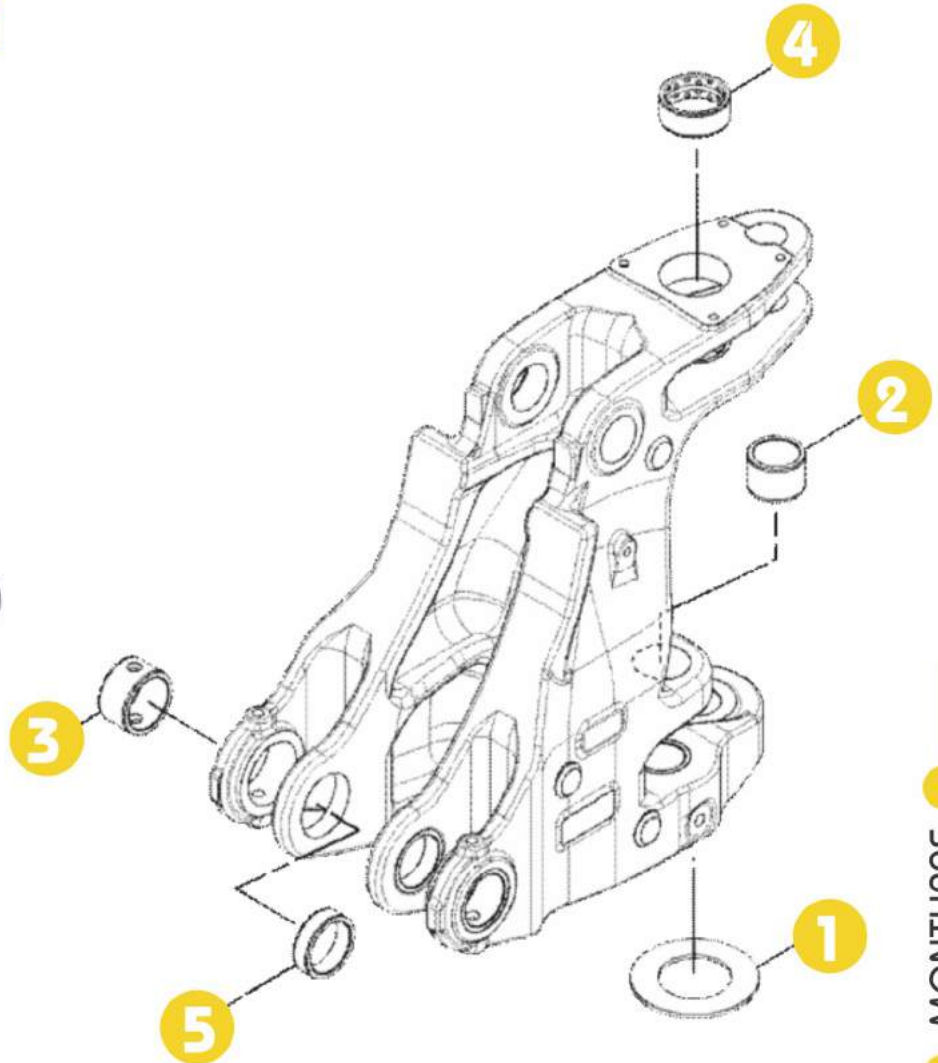
|          |        |   |   |
|----------|--------|---|---|
| <b>1</b> | 9R0366 | 1 |  |
|----------|--------|---|---|

|          |         |   |   |
|----------|---------|---|---|
| <b>2</b> | 2136702 | 4 |  |
|----------|---------|---|---|

|          |         |   |   |
|----------|---------|---|---|
| <b>3</b> | 2370944 | 2 |  |
|----------|---------|---|---|

|          |         |   |   |
|----------|---------|---|---|
| <b>4</b> | 2627043 | 2 |  |
|----------|---------|---|---|

|          |         |   |   |
|----------|---------|---|---|
| <b>5</b> | 2785454 | 2 |  |
|----------|---------|---|---|



MONTURAS

# BOMBAS HIDRÁULICAS















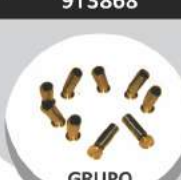

















COMEDIMA DE PARTES  
Y MAQUINARIA, S.A. DE C.V.





## MODELOS DE MAQUINAS

**GRUPO ROTATORIO**  
**BOMBA**  
**PISTONES**  
**PLATO 1**  
**PLATO 2**

| 416, 428   | 416B, 426B,<br>428B, 436B,<br>438B   | 416C, 428C   | 416C, 426C,<br>428C, 436C,<br>438C  | 416D, 424D   | 414E, 416E,<br>422E, 428E,<br>434E   |
|--|--|--|---|--|--|
| 9T6857   | 100-3259   | 155-5110*  | 161-6634  | 180-9588   | 350-0666   |
|             |           |           |           |           |           |
| 9T2031   | 6E6160   | 6E4006   | 6E4006  | 6E4006   | 327-8163   |
|            |          |          |          |          |          |
| 9T3868   | 6E6151   | 6E6151   | 6E6151  | 6E6151   | 168-3384   |
| <br>GRUPO | <br>(9) | <br>(9) | <br>(9) | <br>(9) | <br>(9) |
| 9T3860   | 6E6154   | 6E6154   | 6E6154  | 6E6154   | 168-3385   |
|           |         |         |         |         |         |
| 9T2232   | 6E6153   | 120-5724   | 120-5724  | 120-5724   | 279-2491   |
|           |         |         |         |         |         |

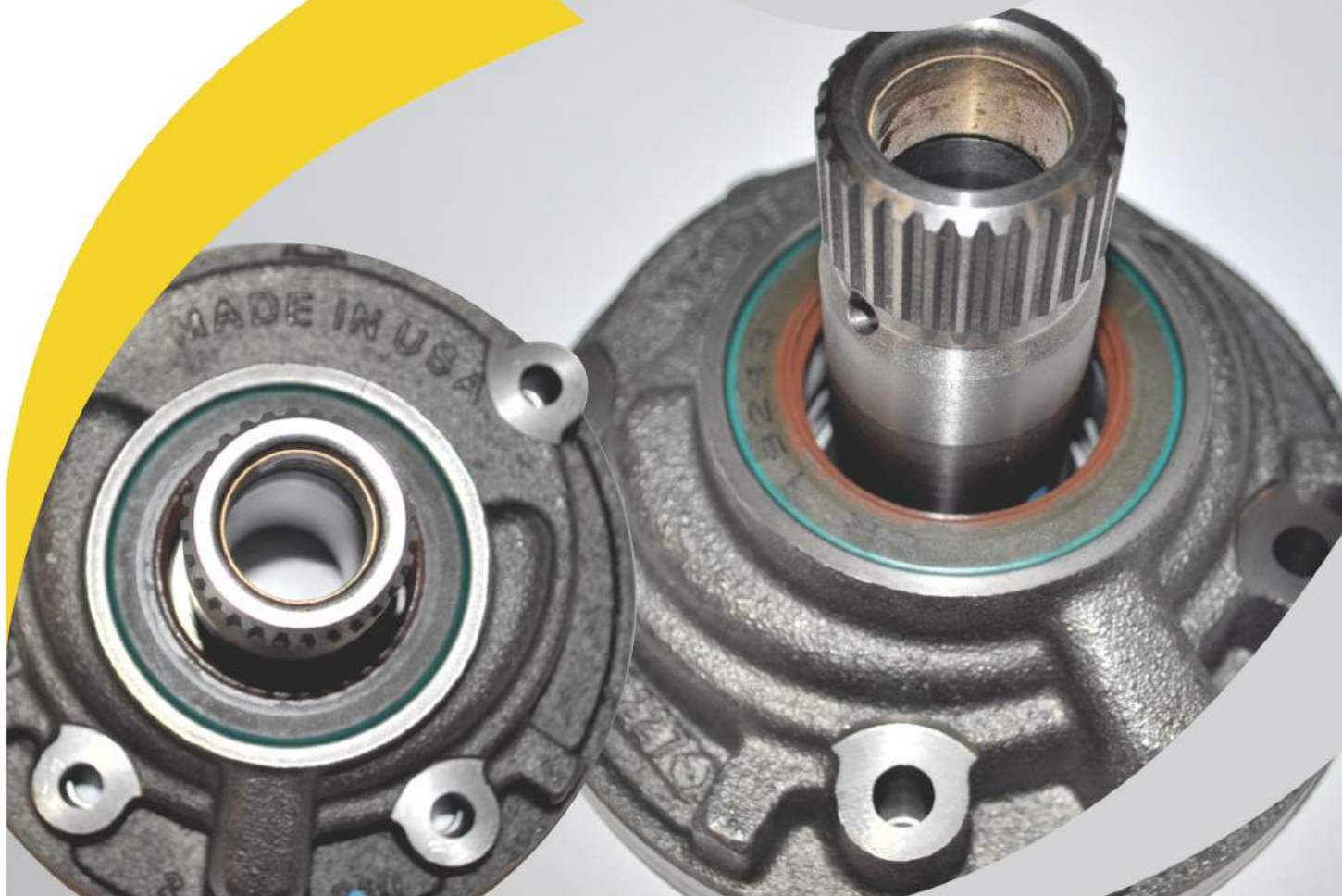
NOTA:

\*Use 161-6634 cuando tenga el tubo 160-4884

# BOMBAS DE TRANSMISIÓN







COMEDIMA DE PARTES  
Y MAQUINARIA, S.A. DE C.V.





# BOMBAS DE TRANSMISIÓN

| MODELOS DE MAQUINAS   | NO. PARTE | IMAGEN  | RETÉN    | IMAGEN  | SELLO  |
|---|-----------|---|----------|---|--------|
| 416, 416B, 428B   | 6Y3864    |   | 8T9592   |   | 7X4741 |
| 416C, 416D, 422F, 424D,<br>428, 430F, 420D, 438C,<br>432C, 432F, 432D, 442E, 436C | 121-7385  |  | 208-8240 |  | 7X4741 |



BOMBAS DE TRANSMISIÓN

# TERMINALES



COMEDIMA DE PARTES  
Y MAQUINARIA, S.A. DE C.V.



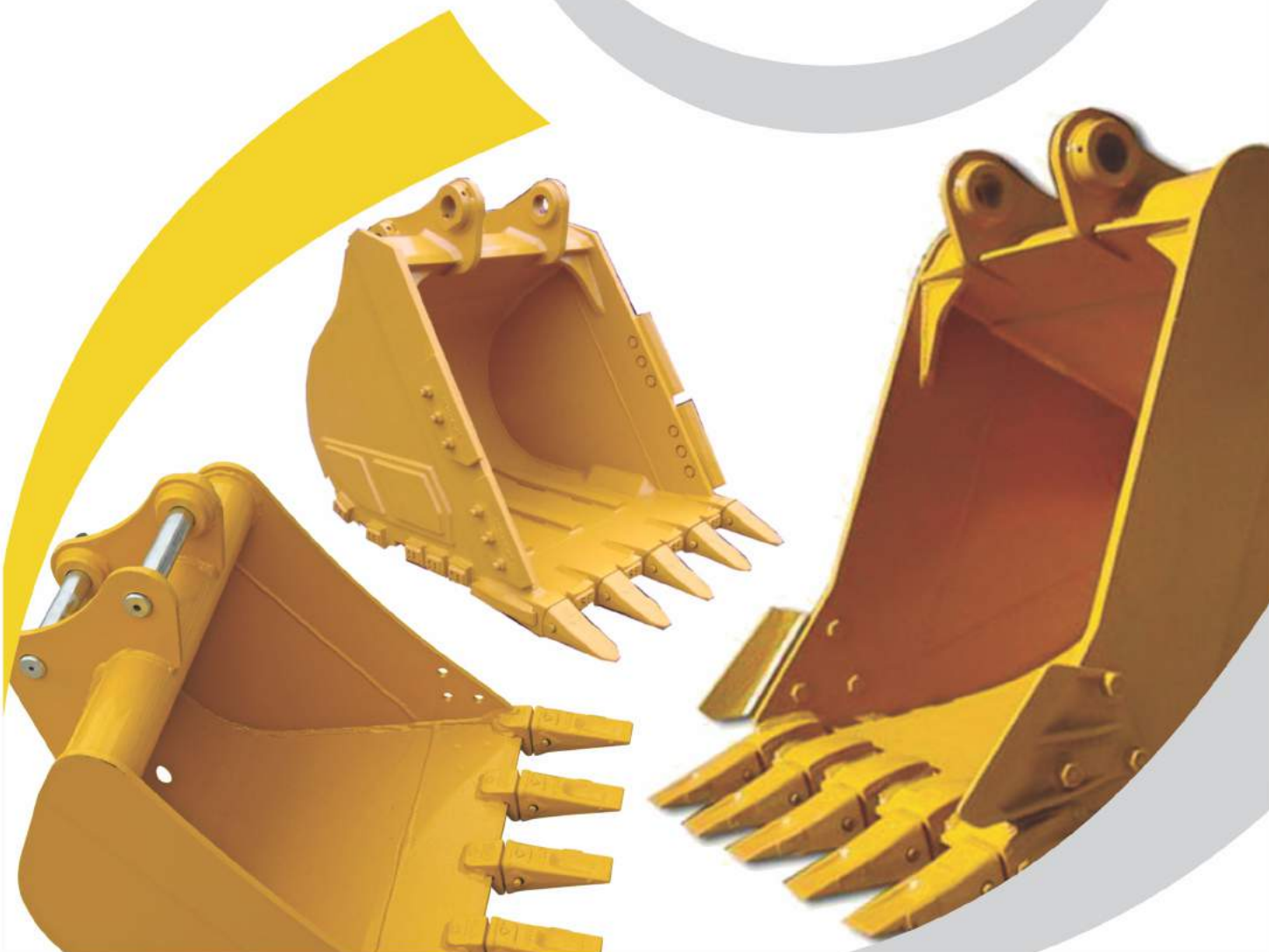


| MODELOS DE MAQUINAS   | NO. PARTE | IMAGEN |
|---|-----------|--------|
| 416, 426, 428, 436, 438   | 9R2601    |        |
| 416B, 426B, 428B, 436B  | 9R9190    |        |
| 416C, 426C, 428C, 436C, 438C, 442D                              | 110-0840  |        |
| 416B, 416C, 416D, 420D, 426C, 428B, 428C, 430D, 436C            | 128-4128  |        |
| 416D, 416E, 420D, 420E  | 207-4272  |        |
| 416D, 416F, 420D, 420E, 420F, 430D, 430E                        | 209-9886  |        |
| 416D, 416E, 416F, 420D, 420E, 420F, 430D                        | 216-4459  |        |
| 416D, 416E, 420D, 420E, 430E, 430F                              | 217-2883  |        |
| IZQUIERDA 416C, 416D, 420D, 426C, 428C, 428D, 430D, 436C        | 229-2949  |        |
| DERECHA 416C, 416D, 420D, 426C, 428C, 428D, 430D, 436C          | 229-2950  |        |
| IZQUIERDA 416, 416B, 426, 426B, 428, 428B, 436, 436B, 438, 438B | 9R2842    |        |
| DERECHA 416, 416B, 426, 426B, 428, 428B, 436, 436B, 438, 438B   | 9R2843    |        |

# CUCHARONES



COMEDIMA DE PARTES  
Y MAQUINARIA, S.A. DE C.V.





# CUCHARÓN DE 14" CATERPILLAR

## CUCHARÓN RETROEXCAVADORA CAT J200



PLACA DE ACOPLA



PLACA DE DESGASTE  
1/2"



CANTIDAD DE  
ADAPTADORES  
3

| PARTE | DESCRIP.              | CANTIDAD   | IMAGEN |
|-------|-----------------------|------------|--------|
| 1     | 9R0162 BUJE SUPERIOR  | 2 INCLUIDO |        |
| 2     | 9R6161 PERNO SUPERIOR | 1          |        |
| 3     | 9R0147 BUJE INFERIOR  | 2 INCLUIDO |        |
| 4     | 9R6162 PERNO INFERIOR | 1          |        |

CUCHARÓN

# CUCHARÓN DE 22" CATERPILLAR



## CUCHARÓN RETROEXCAVADORA CAT J200

PLACA DE  
ACOPLÉ  
3/4"



PLACA DE DESGASTE  
1/2"



CANTIDAD DE  
ADAPTADORES  
5

| PARTE | DESCRIP. | CANTIDAD | IMAGEN |
|-------|----------|----------|--------|
|-------|----------|----------|--------|

1

9R0162

BUJE  
SUPERIOR

2  
INCLUIDO



2

9R6161

PERNO  
SUPERIOR

1



3

9R0147

BUJE  
INFERIOR

2  
INCLUIDO



4

9R6162

PERNO  
INFERIOR

1



CUCHARÓN



**PRODUCTOS PARA  
RETROEXCAVADORAS  
CASE**



**COMEDIMA DE PARTES  
Y MAQUINARIA, S.A. DE C.V.**



# CUCHARÓN DE 14" CASE



## CUCHARÓN RETROEXCAVADORA CASE H&L 23



PLACA DE ACOUPLE



PLACA DE DESGASTE  
1/2"



CANTIDAD DE  
ADAPTADORES  
3

| PARTE    | DESCRIP.               | CANTIDAD   | IMAGEN |
|----------|------------------------|------------|--------|
| <b>1</b> | D40243 BUJE SUPERIOR   | 2 INCLUIDO |        |
| <b>2</b> | D150619 PERNO SUPERIOR | 1          |        |
| <b>3</b> | D30933 BUJE INFERIOR   | 2 INCLUIDO |        |
| <b>4</b> | D149298 PERNO INFERIOR | 1          |        |

CUCHARÓN



# CUCHARÓN DE 22" CASE

## CUCHARÓN RETROEXCAVADORA CASE H&L 23



PLACA DE ACOPLÉ  
3/4"



PLACA DE  
DESGASTE  
1/2"



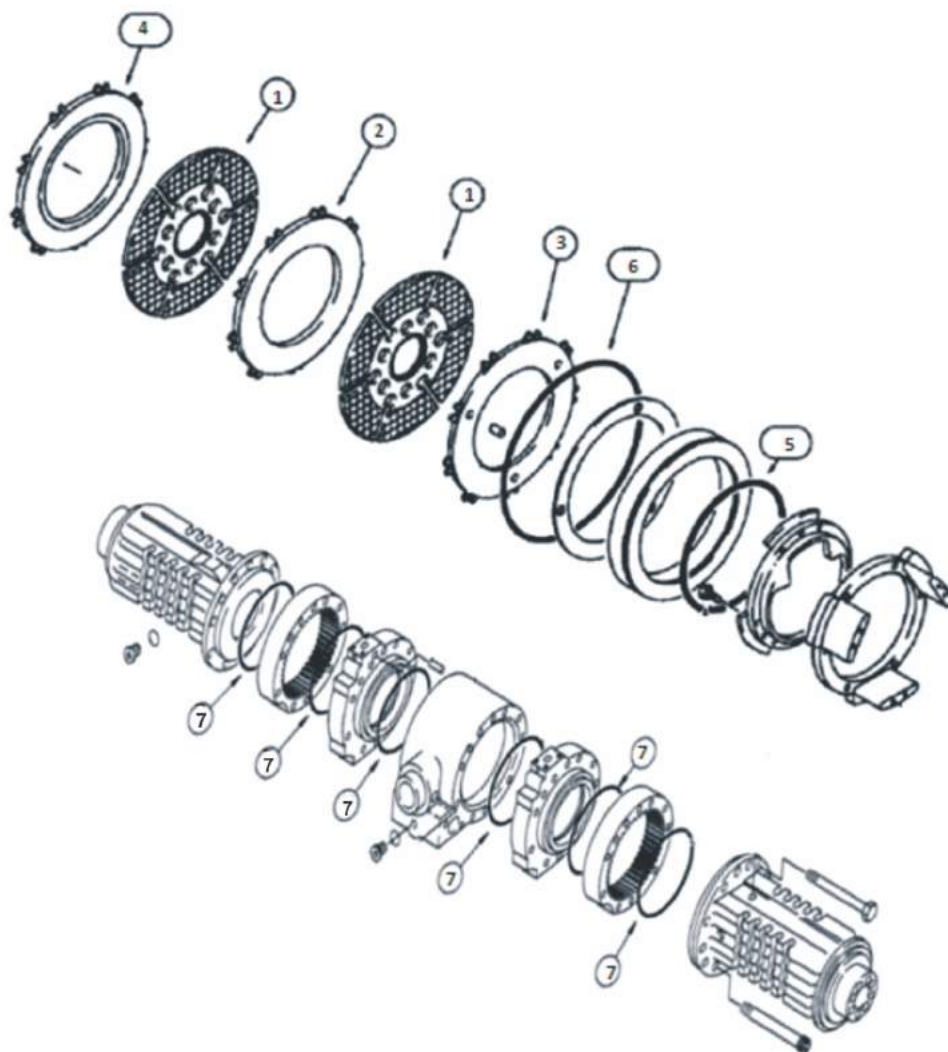
CANTIDAD DE  
ADAPTADORES  
5

| PARTE            | DESCRIP.       | CANTIDAD   | IMAGEN |
|------------------|----------------|------------|--------|
| <b>1</b> D40243  | BUJE SUPERIOR  | 2 INCLUIDO |        |
| <b>2</b> D150619 | PERNO SUPERIOR | 1          |        |
| <b>3</b> D30933  | BUJE INFERIOR  | 2 INCLUIDO |        |
| <b>4</b> D149298 | PERNO INFERIOR | 1          |        |

CUCHARÓN

# KIT DE FRENOS PARA RETROEXCAVADORA CASE 580 L

## KDF580L



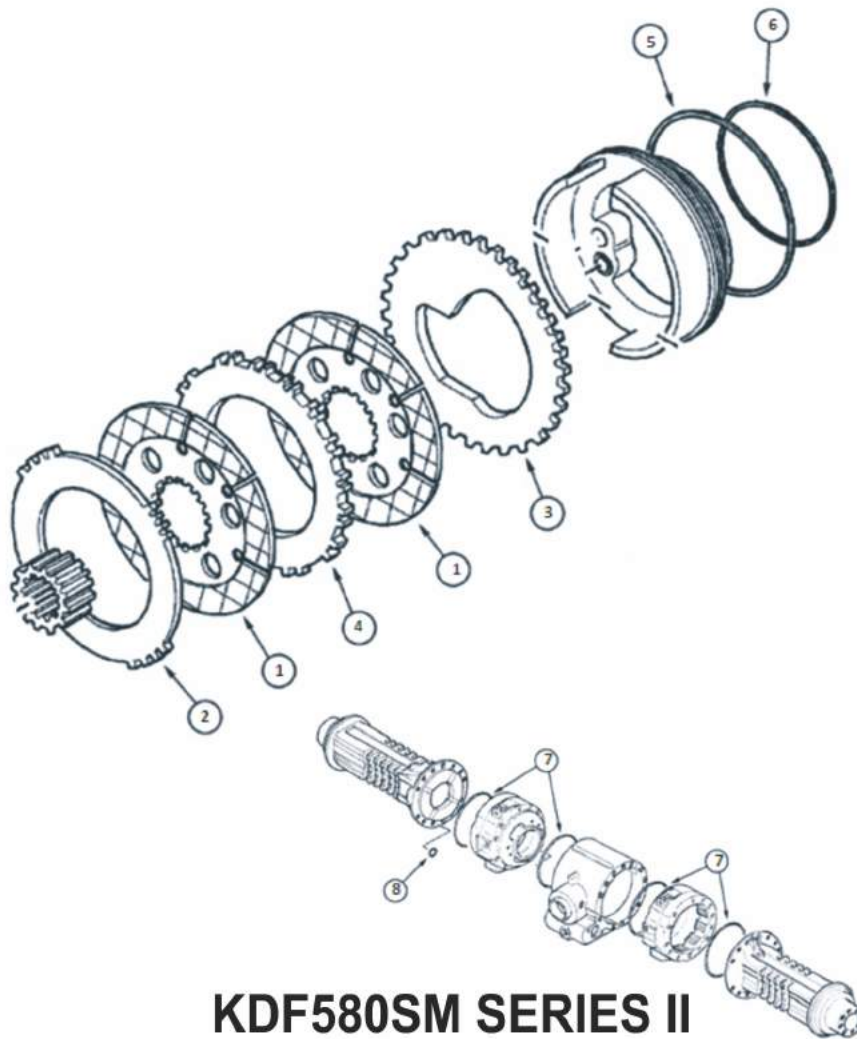
### KDF580L

|   |   |          |               |
|---|---|----------|---------------|
| 1 | 4 | 237021A1 | DISCO         |
| 2 | 2 | 237022A1 | PLATO CENTRAL |
| 3 | 2 | 237023A1 | PLATO PISTÓN  |
| 4 | 2 | 237024A1 | PLATO         |
| 5 | 2 | 190492A1 | SELLO         |
| 6 | 2 | 190493A1 | SELLO         |
| 7 | 6 | 235-5270 | SELLO         |



# KIT DE FRENOS PARA RETROEXCAVADORA CASE 580 SUPER M

## KDF580SM SERIES II



### KDF580SM SERIES II

|   |   |          |                 |
|---|---|----------|-----------------|
| 1 | 4 | 237021A1 | DISCO           |
| 2 | 2 | 308030A1 | PLATO DELGADO   |
| 3 | 2 | 308029A1 | PLATO TIPO PERA |
| 4 | 2 | 237022A1 | PLATO GRUESO    |
| 5 | 2 | 190493A1 | SELLO           |
| 6 | 2 | 308036A1 | SELLO           |
| 7 | 4 | 235-5270 | SELLO           |
| 8 | 8 | P2230493 | SELLO           |

KIT DE FRENO PARA RETROEXCAVADORA

# KIT DE SELLOS HIDRÁULICOS PARA RETROEXCAVADORA CASE



KIT DE SELLOS HIDRÁULICOS PARA RETROEXCAVADORA

## 580K

| CILINDRO                 | KIT DE SELLOS | VARIABLES                      |
|--------------------------|---------------|--------------------------------|
| LIFT                     | 1543260C1     |                                |
| TILT                     | 1543256C1     |                                |
| CLAM                     | 1543262C1     | CILINDROS G101190, G101191     |
| CLAM                     | 1543267C1     | CILINDROS 1346189C1, 1346190C1 |
| STEERING                 | G110045       | PARA MODELOS 4X2               |
| STABILIZER               | 1543275C1     |                                |
| SWING                    | 1543260C1     | CAMISA DE 3.25                 |
| SWING                    | 1543266C1     | CAMISA DE 3.50                 |
| BOOM                     | 1542919C2     |                                |
| BUCKET                   | 1542923C2     |                                |
| DIPPER / STICK           | 1543360C1     | PISTÓN CON RETÉN CENTRAL       |
| DIPPER / STICK           | 1542915C2     | PISTÓN CON ANILLO DE DESGASTE  |
| EXT. DIPPER / EXT. STICK | 1543267C1     |                                |

## 580 SUPER K

| CILINDRO                 | KIT DE SELLOS | VARIABLES        |
|--------------------------|---------------|------------------|
| LIFT                     | 1543260C1     |                  |
| TILT                     | 1543256C1     |                  |
| CLAM                     | 1543267C1     |                  |
| STEERING                 | G110045       | PARA MODELOS 4X2 |
| STABILIZER               | 1543275C1     |                  |
| SWING                    | 1543266C1     | CAMISA DE 3.50   |
| BOOM                     | 1542919C2     |                  |
| BUCKET                   | 1542923C2     |                  |
| DIPPER / STICK           | 1542915C2     |                  |
| EXT. DIPPER / EXT. STICK | 1543267C1     |                  |

## 580L

| CILINDRO                 | KIT DE SELLOS | VARIABLES        |
|--------------------------|---------------|------------------|
| LIFT                     | 1543267C1     |                  |
| TILT                     | 175251A1      |                  |
| CLAM                     | 1543267C1     |                  |
| STEERING                 | G110045       | PARA MODELOS 4X2 |
| STABILIZER               | 1543269C1     |                  |
| SWING                    | 191747A1      | CAMISA DE 3.75   |
| SWING                    | 122535A1      | CAMISA DE 4.00   |
| BOOM                     | 182218A1      |                  |
| BUCKET                   | 131750A2      |                  |
| DIPPER / STICK           | 234844A1      |                  |
| EXT. DIPPER / EXT. STICK | 1543267C1     |                  |

## 580 SUPER L

| CILINDRO                 | KIT DE SELLOS | VARIABLES        |
|--------------------------|---------------|------------------|
| LIFT                     | 1543260C1     |                  |
| TILT                     | 1543256C1     |                  |
| CLAM                     | 1543267C1     |                  |
| STEERING                 | G110045       | PARA MODELOS 4X2 |
| STABILIZER               | 1543275C1     |                  |
| SWING                    | 122535A1      |                  |
| BOOM                     | 1542919C2     |                  |
| BUCKET                   | 1542923C2     |                  |
| DIPPER / STICK           | 1542915C2     |                  |
| EXT. DIPPER / EXT. STICK | 1543267C1     |                  |

## 580M

| CILINDRO                 | KIT DE SELLOS | VARIABLES        |
|--------------------------|---------------|------------------|
| LIFT                     | 1543260C1     |                  |
| TILT                     | 1543256C1     |                  |
| CLAM                     | 1543267C1     |                  |
| STEERING                 | G110045       | PARA MODELOS 4X2 |
| STABILIZER               | 1543269C1     |                  |
| SWING                    | 191747A1      |                  |
| BOOM                     | 182218A1      |                  |
| BUCKET                   | 131750A2      |                  |
| DIPPER / STICK           | 234844A1      |                  |
| EXT. DIPPER / EXT. STICK | 1543267C1     |                  |

## 580 SUPER M

| CILINDRO                 | KIT DE SELLOS | VARIABLES        |
|--------------------------|---------------|------------------|
| LIFT                     | 1543260C1     |                  |
| TILT                     | 1543256C1     |                  |
| CLAM                     | 1543267C1     |                  |
| STEERING                 | G110045       | PARA MODELOS 4X2 |
| STABILIZER               | 1543275C1     |                  |
| SWING                    | 191747A1      |                  |
| BOOM                     | 1542919C2     |                  |
| BUCKET                   | 1542923C2     |                  |
| DIPPER / STICK           | 1542915C2     |                  |
| EXT. DIPPER / EXT. STICK | 1543267C1     |                  |



# PRODUCTOS PARA RETROEXCAVADORA CASE

100562A1

| MODELO                      | DESCRIPCIÓN                                  |
|-----------------------------|--|
| 580L, 580SL,<br>580M, 580SM | ENGRANE DE EJE<br>DELANTERO<br>DE 23 DIENTES |

122265A1

| MODELO  | DESCRIPCIÓN        |
|---|--------------------|
| 580L S2, 580SL,<br>580SL S2,<br>580M, 580M S2,<br>580M S2, 580M S3,<br>580SM, 580SM S2,<br>580SM S3,<br>580N, 580SN | PERNO REY INFERIOR |

247546A1

| MODELO   | DESCRIPCIÓN          |
|--|----------------------|
| 580M S2, 580M S3,<br>580SM S2,<br>580SM S3, 580N S3,<br>580SN S3 | RETÉN DE EJE TRASERO |

257953A1

| MODELO | DESCRIPCIÓN                    |
|--------|--------------------------------|
| 580L   | BOMBA HIDRAULICA<br>17 DIENTES |

47048659

| MODELO                  | DESCRIPCIÓN                                 |
|-------------------------|---|
| TODOS LOS<br>CUCHARONES | PERNO UNIVERSAL<br>(CORTO)<br>PARA CUCHARON |

144457A1

| MODELO                      | DESCRIPCIÓN        |
|-----------------------------|--------------------|
| 580L, 580SL,<br>580M, 580SM | TERMINAL DELANTERA |

112509A1

| MODELO      | DESCRIPCIÓN |
|-------------|-------------|
| 580L, 580SL | RÓTULA      |

N13513

| MODELO | DESCRIPCIÓN                                  |
|--------|--|
| 580K   | ENGRANE DE EJE<br>DELANTERO<br>DE 29 DIENTES |

122265A1

| MODELO  | DESCRIPCIÓN        |
|---|--------------------|
| 580L S2, 580SL,<br>580SL S2,<br>580M, 580M S2,<br>580M S2, 580M S3,<br>580SM, 580SM S2,<br>580SM S3,<br>580N, 580SN | PERNO REY INFERIOR |

130258A1

| MODELO | DESCRIPCIÓN                    |
|--------|--------------------------------|
| 580L   | BOMBA HIDRÁULICA<br>15 DIENTES |

144460A1

| MODELO  | DESCRIPCIÓN             |
|---|-------------------------|
| 580L, 580L SERIES II,<br>580SL, 580SL SERIES II,<br>580M, 580SM | JUEGO DE PIÑÓN Y CORONA |

D150619

| MODELO   | DESCRIPCIÓN                                 |
|--|---|
| TODAS LOS<br>CUCHARONES<br>EXCEPTO<br>LOS DE 12" | PERNO UNIVERSAL<br>(LARGO)<br>PARA CUCHARON |

144465A1

| MODELO           | DESCRIPCIÓN       |
|------------------|-------------------|
| TODAS<br>LAS 580 | CRUCETA UNIVERSAL |

**COMEDIMA DE PARTES Y MAQUINARIA, S.A. DE C.V.**

**(444)815 52 72 / 129 29 20 y 21**

**Carretera Central #155-A, Col. Manuel José Othón C.P. 78318**

**San Luis Potosí, S.L.P. México**

**[www.cdm-comedima.com.mx](http://www.cdm-comedima.com.mx)**



**COMEDIMA DE PARTES  
Y MAQUINARIA, S.A. DE C.V.**